



# MAXIMATIC® FILTER-REGULATOR-LUBRICATORS



**MMFRL-2P-D**  
FRL with Polycarbonate Bowls  
and Automatic Drain



**MMFRL-3W**  
FRL with Bowl Shields  
& Semi-Automatic Drain

Combination FRLs provide air filtration, regulation and lubrication in one unit for easy mounting and installation. Includes L brackets and gauge.

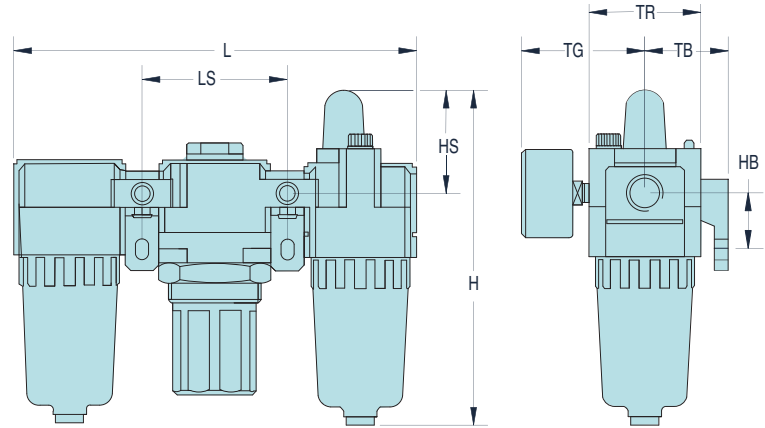
**Bowl:** Polycarbonate standard. Steel bowl shields provided on models indicated. Metal bowls with sight glasses also available, add “-M” to the Part Number.

**Regulating Range:** 7 to 100 psig on MMFRL-1N, 7 to 125 psig on all others. 30 and 60 psig ranges also available, add “-P30” or “-P60” to the end of the Part Number.

**Drain:** Semi-Automatic standard on MMFRLS-3 series. Manual standard on all others. Optional Automatic Drain available—add “-D” to the Part Number.

Drains not available on Lubricators.

**Filtration:** 25 micron filter standard. Add “-F5” to the end of the Part Number for an optional 5 micron filter.



Drawing shown with Polycarbonate Bowl without Shield or Auto Drain

Dim.	MMFRL-4Z					
	MMFRL-1	MMFRL-2	MMFRL-3	MMFRL-4W	MMFRL-4A	MMFRL-5B
H	3.33	4.92	6.16	7.54	7.60	10.69
HB	0.79	0.94	1.39	1.57	1.57	1.97
HS	1.00	1.50	1.50	1.61	1.61	1.89
L	3.58	5.51	7.13	9.37	9.96	11.81
LS	1.3	1.97	2.52	3.31	3.50	4.13
TB	0.98	1.18	1.61	1.97	1.97	2.75
TG	1.02	2.24	2.39	2.58	2.74	2.97
TR	0.98	1.57	2.09	2.76	2.76	3.54

Port	Gauge Port	Flow Rate	Manual Drain	Semi-Auto Drain	Automatic Drain	Standard Bowl*	Gauge
#10-32	1/16" NPT	3 scfm - 90 l/min	<u>MMFRL-1N</u>	-	<u>MMFRL-1N-D*</u>	Polycarbonate	PG-10-160J
1/8" NPT	1/8" NPT	18 scfm - 500 l/min	<u>MMFRL-2P</u>	-	<u>MMFRL-2P-D*</u>	Polycarbonate	PG-15-160P
1/4" NPT	1/8" NPT	18 scfm - 500 l/min	<u>MMFRL-2Q</u>	-	<u>MMFRL-2Q-D*</u>	Polycarbonate	PG-15-160P
1/4" NPT	1/8" NPT	70 scfm - 2,000 l/min	-	<u>MMFRL-3Q*</u>	<u>MMFRL-3Q-D*</u>	Poly with Shield	PG-15-160P
3/8" NPT	1/8" NPT	70 scfm - 2,000 l/min	-	<u>MMFRL-3W*</u>	<u>MMFRL-3W-D*</u>	Poly with Shield	PG-15-160P
3/8" NPT	1/4" NPT	140 scfm - 4,000 l/min	<u>MMFRL-4W</u>	-	<u>MMFRL-4W-D*</u>	Poly with Shield	PG-20-160Q
1/2" NPT	1/4" NPT	140 scfm - 4,000 l/min	<u>MMFRL-4Z</u>	-	<u>MMFRL-4Z-D*</u>	Poly with Shield	PG-20-160Q
3/4" NPT	1/4" NPT	160 scfm - 4,500 l/min	<u>MMFRL-4A-M</u>	-	<u>MMFRL-4A-M-D*</u>	Poly with Shield	PG-20-160Q
1" NPT	1/4" NPT	180 scfm - 5,000 l/min	<u>MMFRL-5A-M</u>	-	<u>MMFRL-5A-M-D*</u>	Poly with Shield	PG-20-160Q

\* Add M to the end of the part number for Metal Bowl with Site Glass